



**ROUND BALERS
RANGE**

ROUND BALERS RANGE



INDEX

Haymaking	4
Fixed chamber balers	6
Variable chamber balers	8
Variable geometry	10
Chamber and variable geometry	12
Combine balers	14
Wrappers	16
Square balers	18

HAYMAKING

Production plant

Cremona - Italy

Total surface area: 40.000 m²
Covered area: 15.000 m²

MASCHIO Fienagione S.p.A. offers a full range of haymaking and harvesting attachments. These machines are internationally recognized for reliability and performance in all working conditions.

The range is divided into three product families:

- Cutting: double blade, drum, disc, side, front, trailed and combined mowers
- Harvesting: fixed or variable chamber and variable geometry round balers; square balers and shredding attachments
- Conditioning: hay tedders, rakes and swathers





Fixed chamber balers



MONDIALE 120 PRO

OPENABLE BASE

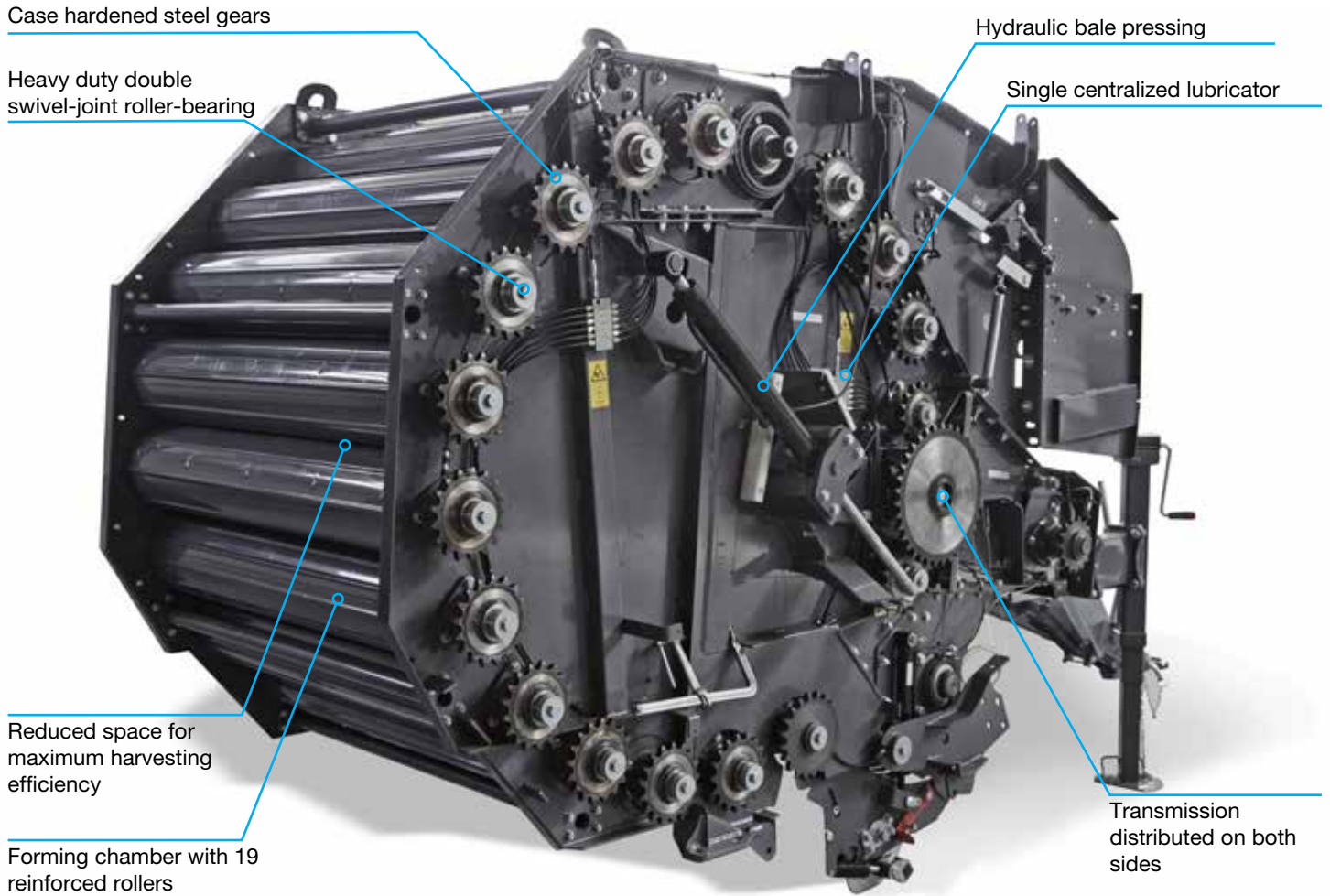
Operated by the operator without having to descend from the tractor, promoting a rapid return to work. Expanding the feed channel and allowing the excess product flow, work can be normally resumed after a blockage.

HIGH EFFICIENCY PICK-UP

A special product conveying plate with a compression roller, maximizes the effectiveness with minimal blockage. Hydraulic floatation with chain travel stop and cam sliding bearing with double ball race.



Created for heavy duty work



ROBUSTNESS

The forming chamber in the Mondiale and Trotter models comprises 17 reinforced rollers for the 110 CUT and 19 for the 120 PRO, allowing the formation of 1000x1100 mm diameter bales for 110 CUT (1220 x 1250 mm for 120 PRO). Each roller features a particular profile to ensure the best traction in any condition and with any product, including prunings.



Model		ENTRY	TROTTER	MONDIALE 110	MONDIALE 120 PRO
Bale diameter	mm	1200-1500	1250	1100	1200
Pick up	cm	150 (200 opt)	200 (220 opt)	150	220
Knives	No.	-	TOPCUT 13 ULTRACUT 25	10	25
Binding		Twine/net	Twine/net	Mesh	net/film
PTO	rpm	540	540	540	540
Weight	Kg	1900-2200	3000-3500	2250	3500-4000
Power requirement	HP	40-70	50-100	70-110	100-150

Variable chamber balers



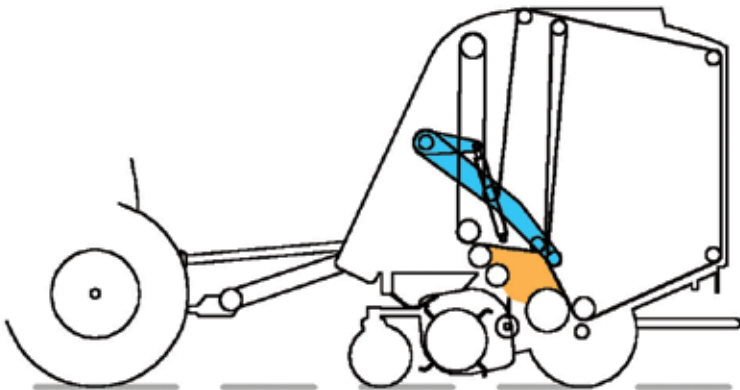
EXTREME 265 LTI

PRESSING METHODS

Extreme 265 LTI exerts a constant pressure from the core to the surface: the value can be easily set by the control unit in the tractor cab. The bale obtained in this way is noted for its "soft core" with selectable diameters from 0 to 120 cm.

FOR YOUR EVERY NEED

Thanks to the equaliser system it is possible to set the final size of the bale starting from a diameter of 50 cm up to 165 cm. The system can be controlled by an electronic control unit and allows to set the desired size from the cab.



Ø FROM 50 cm TO 165 cm

Extreme adaptability



EXTREME 265 LTI

Variable chamber round baler to form bales from 50 to 165 cm in diameter, through an equaliser directly adjustable from the in-cab monitor.

The robust structure and belt chamber allow the collection of both green and dry products. The pressure of the soft core that can be set from the monitor (0 to 120 cm) allows to obtain bales of the desired weight and consistency. The extensive pick-up quickly and carefully collects the product even in more voluminous swaths, allowing to maintain a constant working speed.



Model		EXTREME LTC-LTI-LTR
Bale diameter	mm	500-1650
Pick up	cm	200(220 opt)
Knives	No.	13 (vers. LTC)
Binding	type	twine-net
PTO	rpm	540
Weight	Kg	2600-3000
Power requirement	HP	90-150

Variable geometry: how it works?



MADE IN MASCHIO FIENAGIONE

Maximum professionalism thanks to the variable geometry technology, which allows to change the pressure of the bale based on the product and level of humidity. A system with 2 equalisers allows to automatically vary the pressure during bale formation based on the size increase. During the harvest of noble products, the pressure of the forming chamber can be set to zero allowing the product to enter in bulk, with the classic star formation.

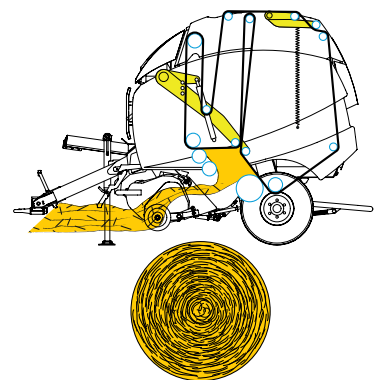
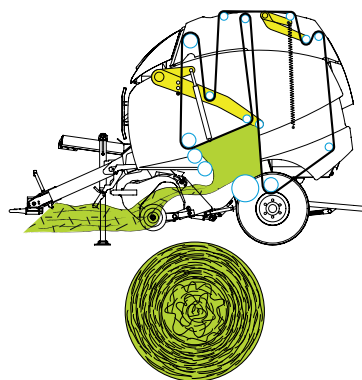
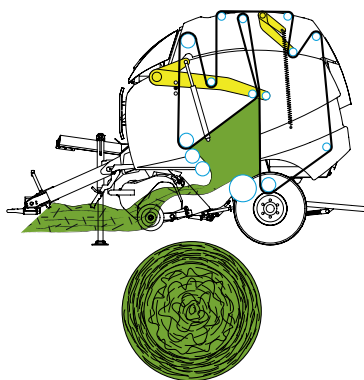


60% - 40%

25% - 20%

20% - 15%

15% - 10%

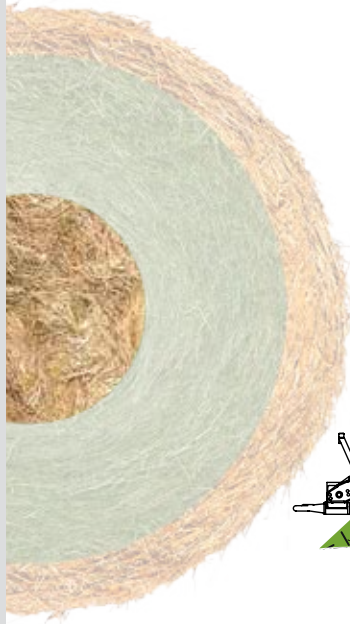


We care about your product

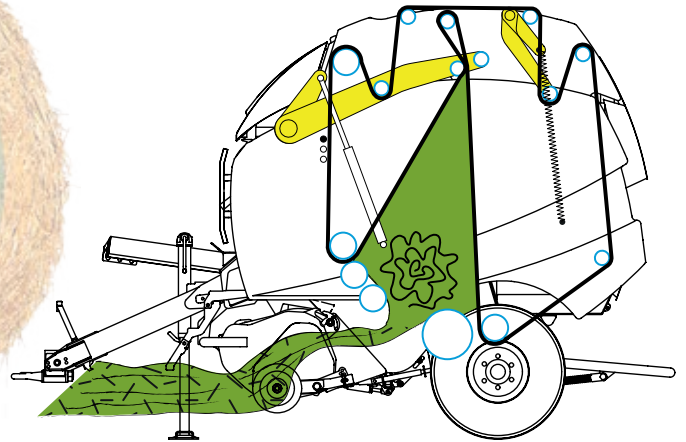
SOFT CORE

Thanks to the patented double equaliser system, it is possible to set the formation of the soft core, i.e. zero pressure on the product (0 bar), for a reduced accumulation with the creation of the classic star formation, up to a diameter of 90 cm (version 365). Ideal for the harvest of more delicate noble products, which require more attention in the processing stages.

Soft core Ø 0-90 cm = 0 Bar



**FIXED PRE-CHAMBER UP TO 90 CM
TRUE STAR**



BETTER TO PRESS OR BETTER TO DRY? THE CHOICE IS YOURS!

The ICON control unit allows up to 5 dedicated programs, modifiable by the operator, which allow to vary the pressure exerted during the formation of the bale. This is a very important tool in the farmer's hands, that by considering the moisture content of the product and the subsequent type of storage, can choose the optimum program.



Up to 5 dedicated programs



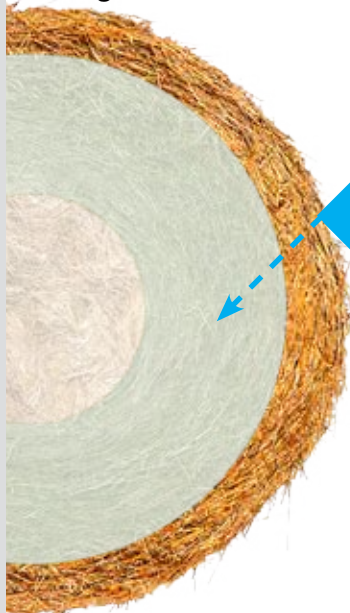
MAXIMUM CARE OF NOBLE PRODUCTS



HYDRAULIC BALING

The variable geometry system allows to vary the pressure exerted during the formation of the bale. Thanks to the endless belts and a maximum pressure of 210 bar (version 365) heavy weight bales can be made even with very dry products.

Baling Ø 50-165 cm = 60-210 Bar



HARD EXTERIOR

Preset exterior at 210 bar

- Reduced air penetration
- Longer storage time
- Better product health
- Increased palatability of the forage
- Optimal solidity of the bale
- Functional with both dry and wet product
- Setting available for ant bale diameter

O₂ H₂O

Chamber and variable geometry



365 HTC

FEED SYSTEM

HT-HTI: Reciprocating packer



Ideal for chopped straw, short and dry, or to gather without damaging delicate, short and brittle fodder.

HTR: rotary feeder



Characterized by high rotating capacity, the rotor feeds the chamber continuously and quickly, allowing to maintain high feed rates even with large amounts of hay or straw. The rotor, fitted with spikes arranged with a double spiral, evenly distributes the product in the chamber.

HTC: rotary feeder with 13 knives



The knives give the harvested forage a length of 77 mm.

HTU: rotary feeder with 25 knives



The high number of knives allows the hay to be cut to a length of 45 mm.

Unmatched versatility



EXTREME 365

High performance and maximum attention in the pick-up of the product. These are the strong points of the Extreme 365, which thanks to the generous 2200 mm pick-up, the choice of rotors and the "Endless" belts ensures high performance. The twin boom system, for the management of the chamber and variable geometry, allows the collection of the product depends on the moisture, for optimum product storage.



		EXTREME SERIES 2		EXTREME SERIES 3	
Model		220-265-280 HT-HTR	220-265-280 HTC-HTU	365 HTI-HTR	365 HTC-HTU
Bale diameter	mm	500-1200-1650-1800	500-1200-1650-1800	500-1650	500-1650
Pick up	cm	200(220 opt)	200(220 opt)	220	220
Knives	No.	packer (HT) rotor (HTR)	13 (HTC) 25 (HTU)	packer (HTI) rotor (HTR)	13 (HTC) 25 (HTU)
Binding		twine-net	twine-net	Mesh	Mesh
PTO	rpm	540	540	540	540
Weight	Kg	HT 2350-2750 HTR2720-3120	HTC 2750-3150 HTU 2850-3250	HT 3000 HTR 3200	HTC 3300 HTU 3400
Power requirement	HP	60-120	70-150	100-180	100-180

Combine balers



DUETTO 125

GENTLE WITH THE PRODUCT

Thanks to the ample pick-up and the reciprocating feed system, the collection of the product is always delicate, both according to the type of product as well as its level of humidity. The fixed roller chamber allows you to press the product without excessive mistreatment, reducing normal losses.

ALL IN A SINGLE PASS

The combination allows to fulfil both the collection process as well as the wrapping without stopping, thereby reducing operating times considerably. The management of the operations takes place from the tractor cab, where both the functions of the round baler (pick-up, pressing, binding, and discharge) and the wrapper (number of revolutions, rotational speed, discharge) can be managed.



360° quality



DUETTO 125

Ideal for the harvest of green products (ryegrass and alfalfa), the product is sized, packed and wrapped in a single operation, preventing the bale from being contaminated by contact with the ground and by adverse weather conditions.

The single pass in the field reduces the soil trampling, working time and fuel consumption.

The round baler is equipped with a delicate wrapper that wraps the bale in a plastic film protecting it from contact with the air and external agents. In this way stops any aerobic fermentation is halted, for an optimal preservation of the product even with high humidity.



Model		DUETTO 125	MONDIALE COMBI
Bale diameter	mm	1200	1200
Pick up	cm	220	220
Knives	No.	25	25
Binding		net/film	net/film
PTO	rpm	540	540
Weight	Kg	3500	4000
Power requirement	HP	100-150	100-150

Wrappers



HIGH-PERFORMANCE

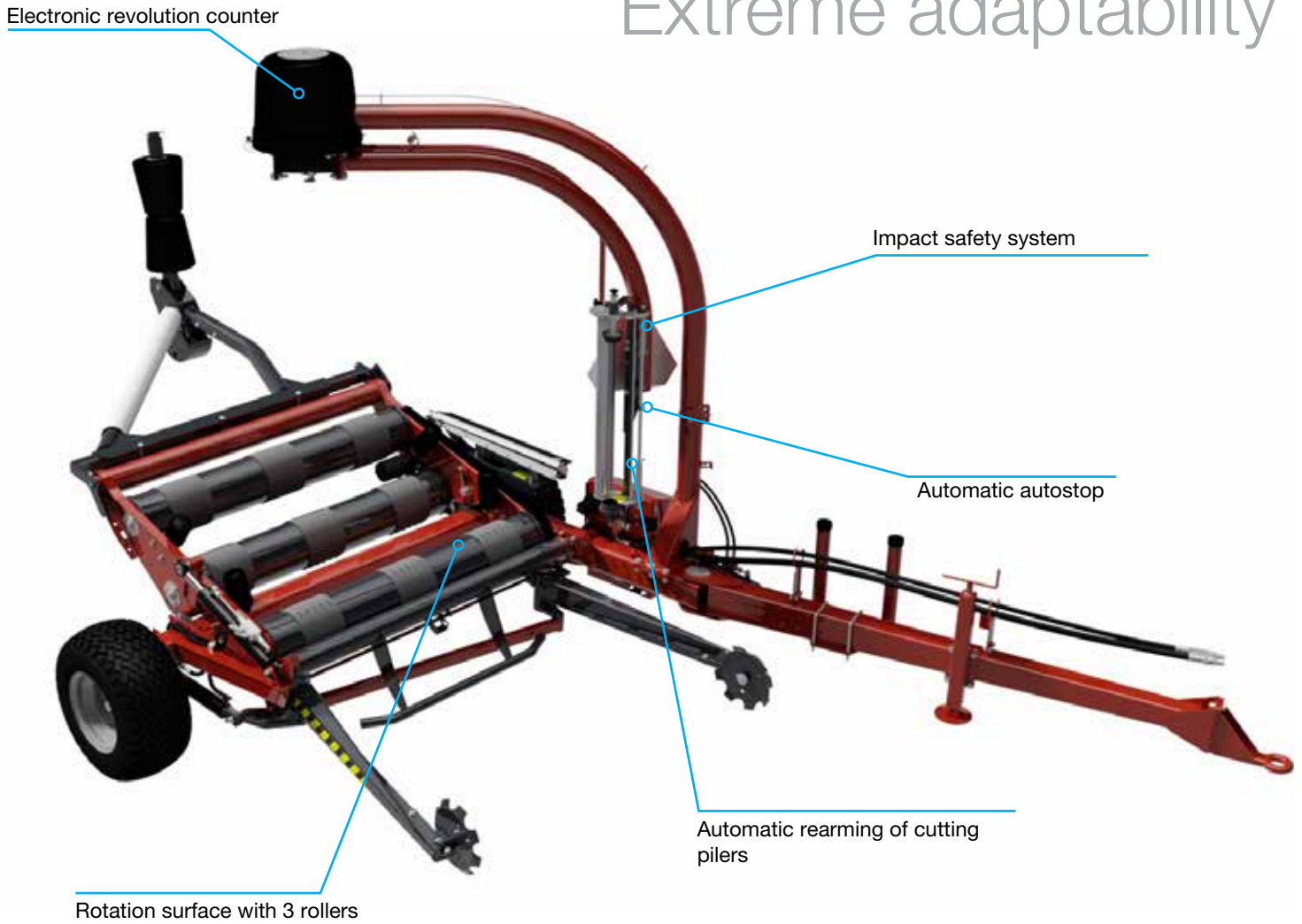
The two film wrappers work in sync allowing to reduce the wrapping time. The pre-tensioning system of the film ensures very compact and adherent wrapping so as to eliminate possible air bubbles.

EVERYTHING UNDER CONTROL

Maximum stability thanks to the 3 roller wrapping platform, which ensures an ample support surface, avoiding the deformation of the bale. The very robust rolling system of the bale allows to rotate the bale steadily and without jerking, even with heavy loads.



Extreme adaptability



FP

Compact and practical, the FP version of the Maschio Fienagione wrapper range ensures optimum performance and maximum ease of use. The models are available with manual, semi-automatic and automatic management, with the possibility of single or double wrapping arm. Thanks to the loading and wrapping system with support wheels, FP can also be combined with low-power tractors.



Model		FP 35	FT 45	FTA 55
Chassis		Mounted	Trailed - lateral	Towed
Overall dimensions	M	2,5 x 1,85	2,6 x 2,05	4,2 x 2,5
Bale diameter	cm	120-140	120-140	100-140
Wrapping arm/Roll dimension	n°x mm	1x 750	1x 750	1 x 750
Oil flow-rate/max pressure	l/min -Bar	20-45	15-45	15-45
Maximum bale lifting capacity	Kg	1000	1000	1200
Tractor power	HP	60-90	60-90	60-90
Weight	Kg	850	750	850

Square balers



GREAT PERFORMANCES, LONG LASTING

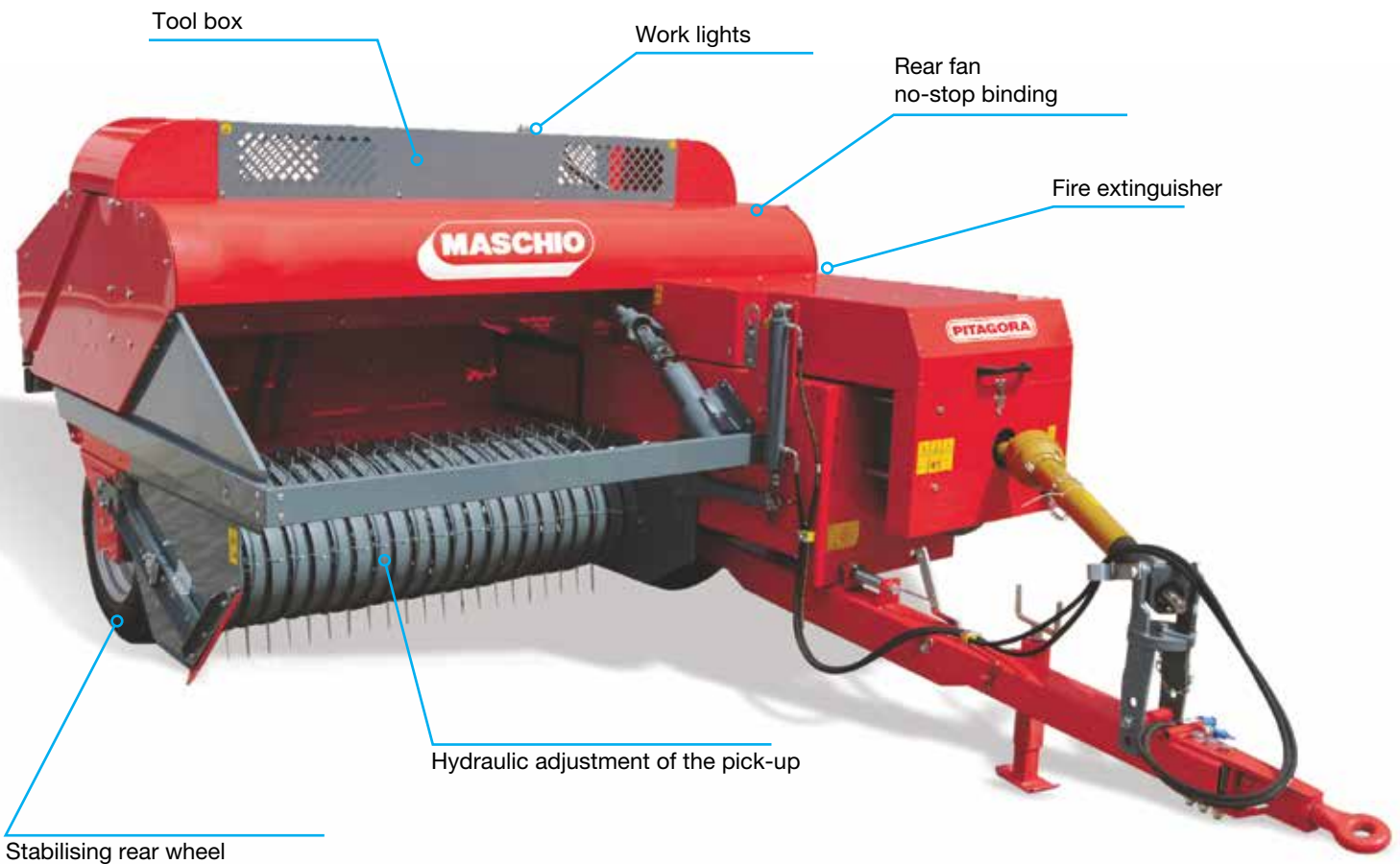
All solutions were designed to give maximum reliability, a reduced need for maintenance and a long operational life of the machine. A ventilation system keeps the binding system clean at all times to ensure a perfect result.

PICK-UP AND SHRED

The hydraulically adjustable pick-up allows to harvest all of the product without waste, while the shredder chops the straw. The independently adjustable third rear wheel prevents the pick-up collecting from the ground in case of depressions.



Extreme adaptability



PITAGORA

With its proven technology, Pitagora bales the forage ideal for ruminants and especially for horses. Not damaging the stems, Pitagora can pass without "making dust", achieving high-density bales, ideal for straw or fodder. The size (or length) is adjustable, to facilitate handling and storage.



Model		PITAGORA	ARCHIMEDE
Bale dimensions	cm	36x46	36x46
Pick-up width	mm	1420 - 1630 (Large)	1420 - 1630 (Large)
Max. bale weight	Kg	50	50
Binders	No.	2	3
Straw shredder		-	YES
Weight	Kg	1880-1960	2400-2580
Tractor power	HP	60-70	70-80



MASCHIO Fienagione S.p.A.

Headquarters and production plant
Via Bredina 6
I-26100 CREMONA (CR) - Italy
Tel. +39 0372 564610 - Fax +39 0372 564625
info@feraboli.com - maschio.com

MASCHIO GASPARDO S.p.A.

Via Marcello, 73
I-35011 Campodarsego (PADOVA) - Italy
Tel. +39 049 9289810 - Fax +39 049 9289900
info@maschio.com - maschio.com