



**VARIABLE CHAMBER
ROUND BALERS**

THE ROUND BALER YOU NEED

HIGH PERFORMANCE! WHEREVER YOU NEED IT!

The MASCHIO GASPARDO EXTREME series offers a comprehensive range of variable chamber round balers.

With decades of experience in the industry, MASCHIO GASPARDO is in a position to supply the best solutions, delivering quality products that meet the full range of demands: with simple, lightweight models for small farmers, all the way through to professional models for large farms and contractors dealing with all manner of harvesting conditions, our main aim being to help farmers get the most out of their forage.



EXTREME Series 1 - Mechanical



EXTREME Series 2 - Electronic



EXTREME Series 3 - Professional

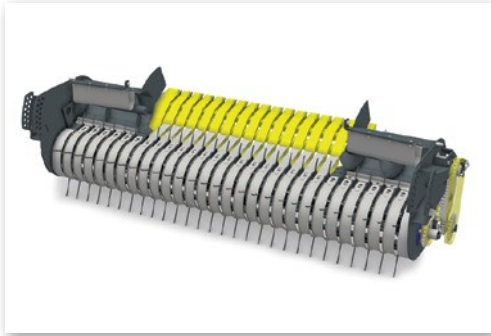


CONTENTS

360° feed systems... for all-round performance	4
Hybrid round balers	6
Quality is a core issue	8
EXTREME Series 1	10
EXTREME Series 2	12
EXTREME Series 3	16
Technical specifications	18

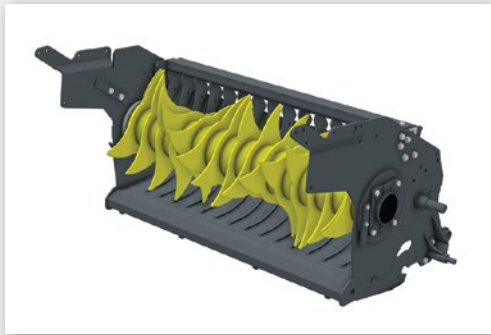


360° FEED SYSTEMS... FOR ALL-ROUND PERFORMANCE



HTI alternative feeder

Ideal for short and dry chopped straw and for picking up delicate, leafy forage - like alfalfa - without damaging it.

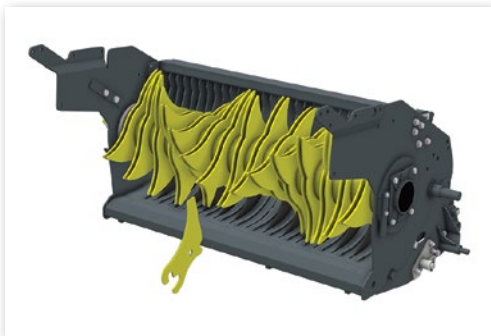


HTR rotor

Featuring high rotary capacity, the rotor feeds the chamber quickly and continuously, maintaining high forward speeds even when tackling large volumes of hay or straw. The rotor, featuring blades in a double spiral arrangement, distributes the crop evenly in the chamber.

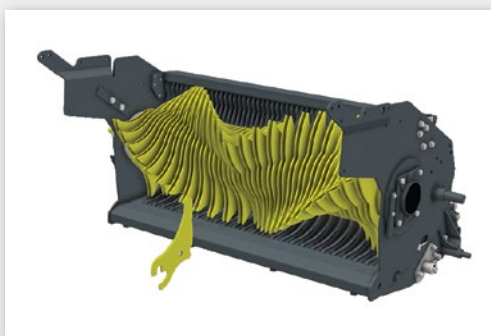
HARDOX®

The blades on all rotors are made from high-strength Hardox to minimize wear during work.



CUT rotor 13 HTC knives

The cutting system comprising of 13 knives chops the material as it is picked up, producing a crop length of around 77 mm. Crop cutting ensures greater pick-up efficiency and makes the best use of the baling chamber.



ULTRACUT Rotor 25 HTU knives

The high number of knives means it can cut hay to a length of 45 mm. Ideal for green crops to be used as silage, it improves fermentation and reduces mixing time in the mixer wagon.



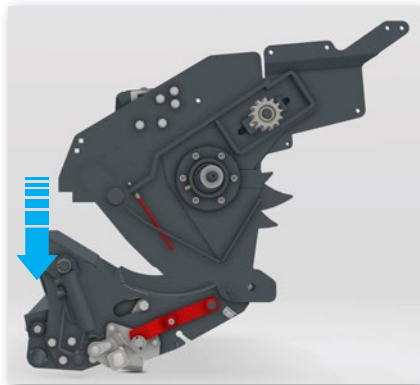
Fewer blockages for improved performance

The term productivity has become an important buzzword in farming, especially when it comes to harvesting. Given that the windows of opportunity for this sort of work are increasingly short, every minute saved is important. The drop floor is designed to help prevent blockages resulting from excessive material, and allow you to clear any plugs quickly, making the operator's job easier by providing an effortless solution to the issue without having to get out of the tractor cab.

3 steps for clearing blockages

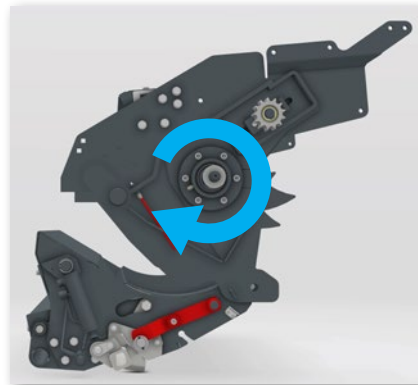
step 1 lower the drop floor

If there is a blockage, the PTO sounds to alert the operator that the feed channel is blocked. The floor can be lowered hydraulically from the comfort of the tractor cab.



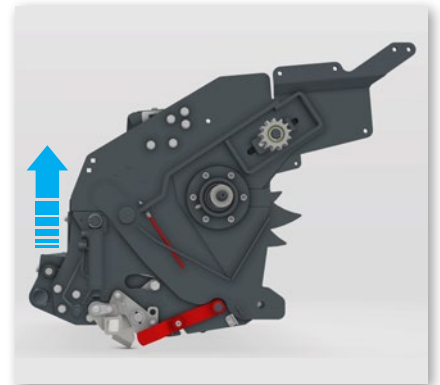
step 2 restart the PTO

With the drop floor hydraulically lowered, the operator must engage the PTO once or twice to help the rotor discharge the material that has built up inside.



step 3 lift the drop floor

Once the blockage has been cleared, the operator lifts the drop floor and can resume baling.

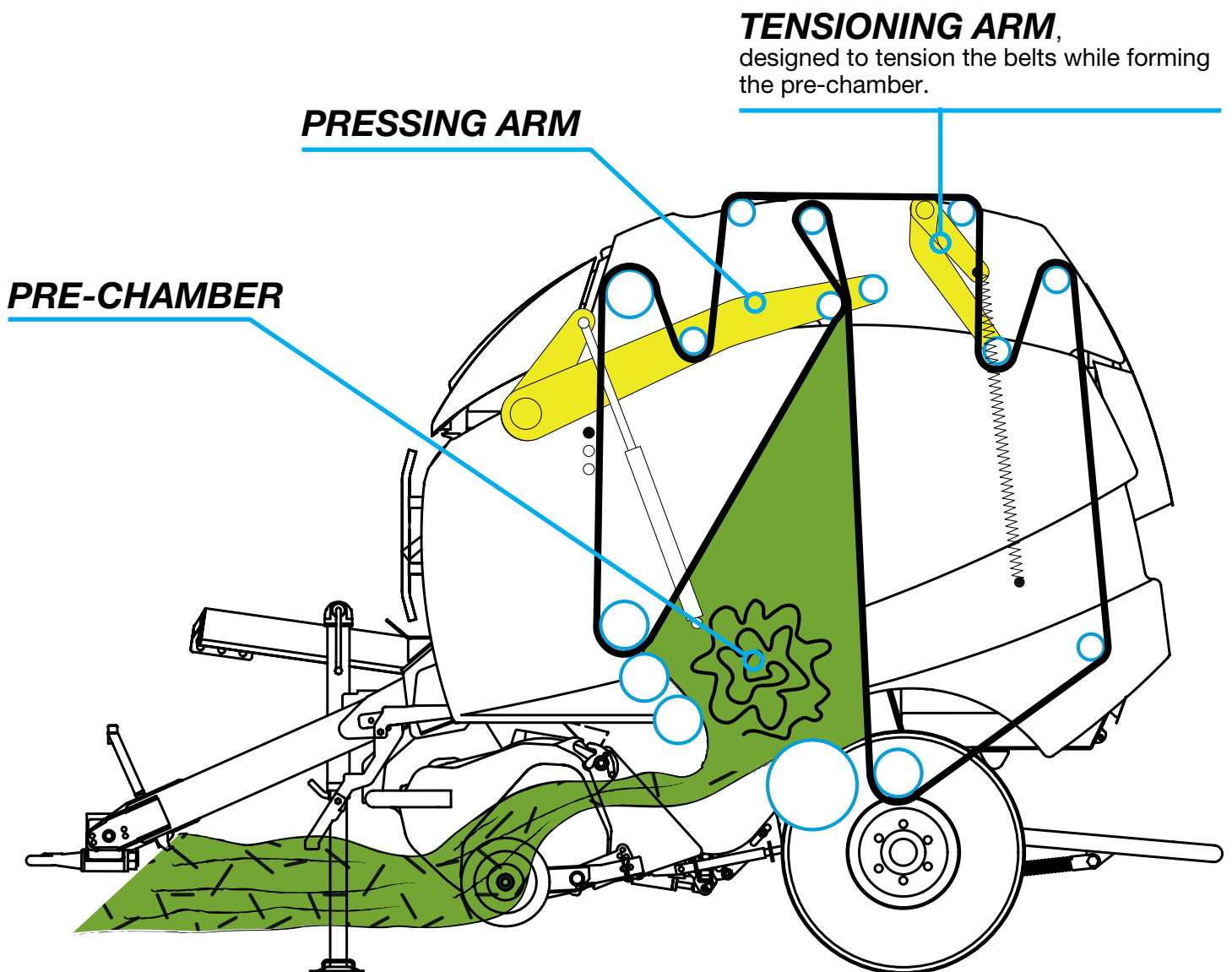


HYBRID ROUND BALERS

A new concept in haymaking

All models in the EXTREME range come as standard with the VARIABLE GEOMETRY system, which enables the round baler to combine the winning features of a variable chamber machine with the advantages of its fixed chamber counterpart, resulting in what, for all intents and purposes, can be termed a hybrid round baler. The crop can be baled straight away, per the variable chamber design, though there is also the option of creating an empty space - by lifting the tensioning arm - thus allowing the soft core and classic star shape to form, just like in a fixed chamber round baler.

In variable chamber round balers, the pressing arm starts compressing the incoming crop immediately, as there is just one pressure setting per bale. With the VARIABLE GEOMETRY system, the pressing arm can stay lifted, creating a pre-chamber - in other words, an empty space - which is filled with loose material up to a maximum diameter of 1.10 m, just like in a fixed chamber with rollers.

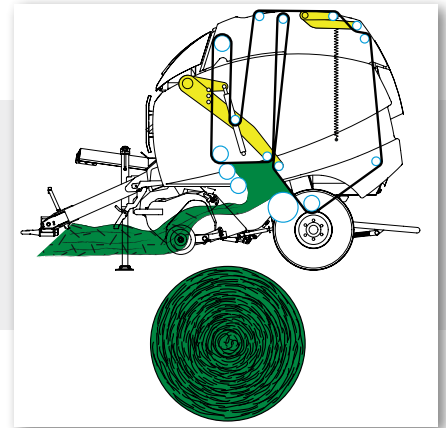


Easy adjustment for any moisture content



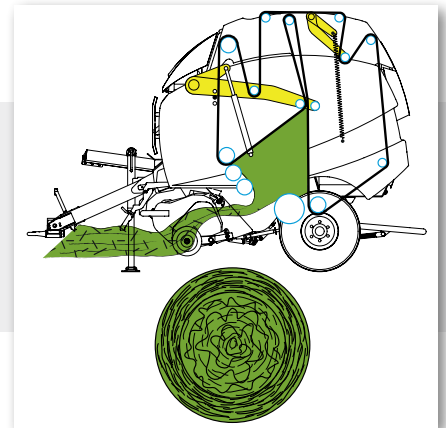
Core density:
100% hard core - wrapping

- Advantages:**
- Store outdoors
 - Less crop waste



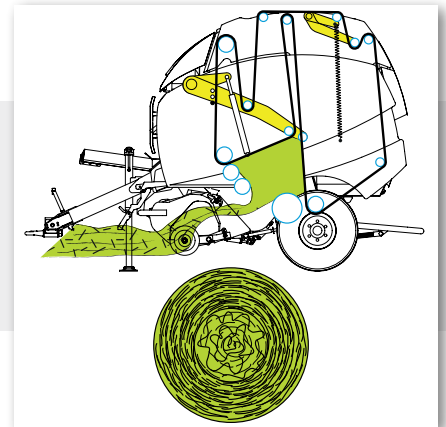
Core density:
100% soft core

- Advantages:**
- Quicker moisture loss
 - Less fermentation



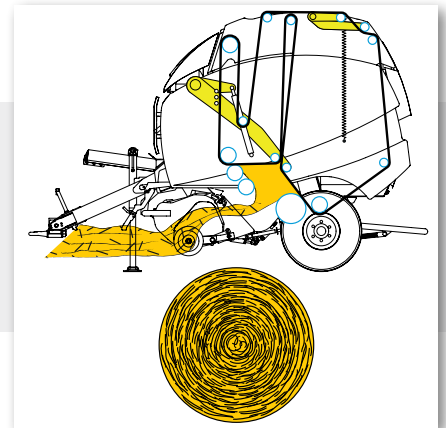
Core density:
50% soft core

- Advantages:**
- Perfect preservation
 - Less fermentation



Core density:
100% hard core

- Advantages:**
- High bale weight
 - Unbeatable efficiency in handling



QUALITY IS A CORE ISSUE

Forage experts

Made in Italy, our brand is recognized around the world for offering a guarantee of quality, and DOP (Protected Designation of Origin) and IGP (Protected Geographical Indication) products are the best of the best of Italy's farmed foods. Italy is actually the European country with the highest number of PDO and PGI farmed foods recognized by the European Union.

For example, in the haymaking sector, producing a healthy product provides the assurance that animals in the sheds will be healthy and produce a constant supply of excellent-quality milk and meat.



Being able to keep the rocker arm lifted and create the pre-chamber brings huge advantages, such as being able to handle any kind of crop and moisture content. Low density in the middle of the bale allows excess moisture to escape and helps disperse heat in the event of fermentation.

Advantages in the drying room

Another advantage of the pre-chamber is that it is a great way to promote bale drying in the drying room, making it easier for warm air to get inside.



What issues can we reduce with variable geometry?



Spontaneous combustion

Bales formed with a moisture content that is too high tend to ferment and generate heat, with a greater risk of fire.



Mold

Unwanted fermentation and mold formation can compromise the health of animals and the quality of their milk.



EXTREME Series 1



Simple and lightweight

EXTREME Series 1 is an entry-level machine for this product category given its ease of use and low power demand. EXTREME Series 1 is the ideal machine for small and mid-sized farmers who need a machine that is going to be reliable in all conditions.

The soft core you prefer

Extreme 1 has the possibility to manage the pre-chamber size mechanically, thanks to a pin system with 4 positions placed directly on the baler. You can create a pre-chamber from a minimum of 60 cm to a maximum of 110 cm diameter, depending on the humidity of the product.

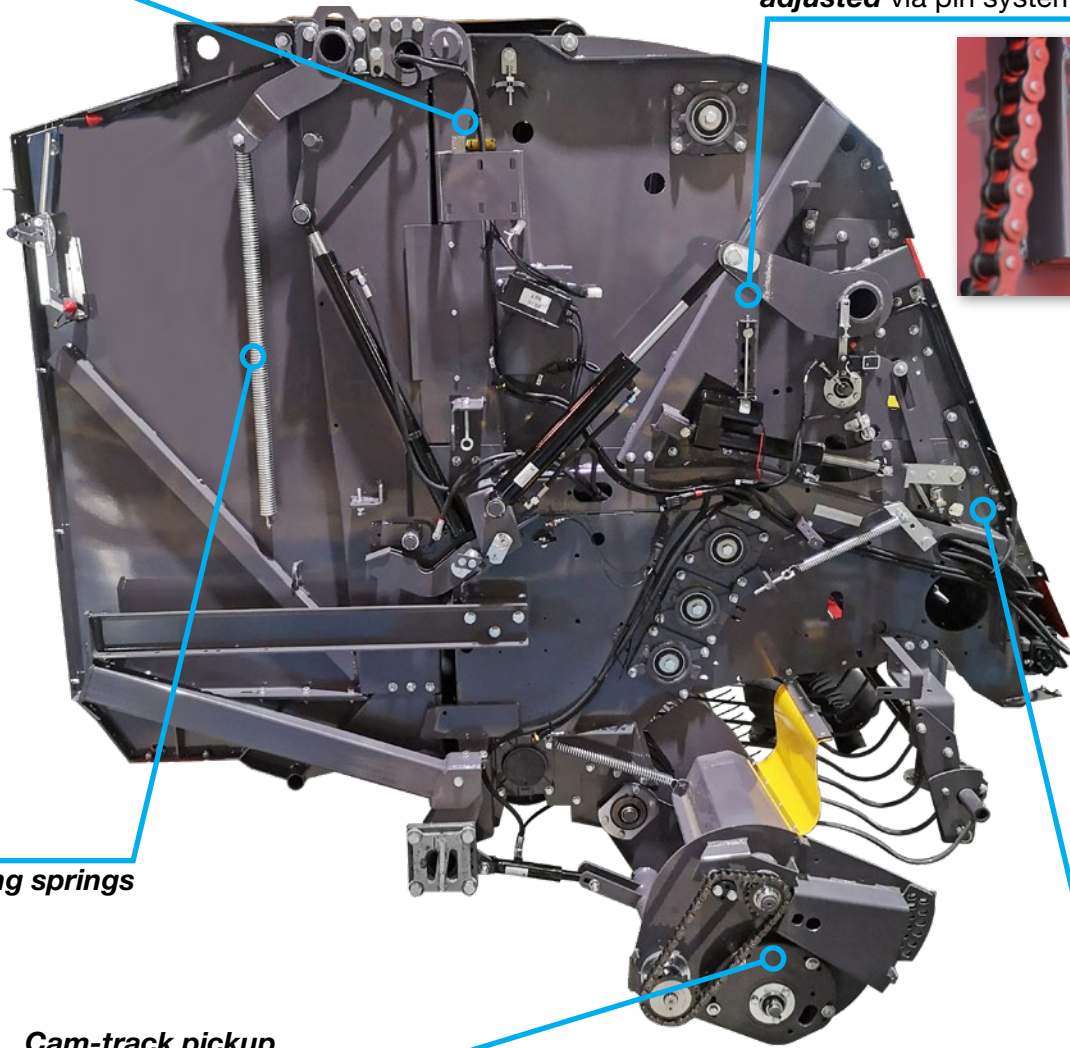


Model		EXTREME 165	EXTREME 180
Bale diameter	mm	500-1650	500-1800
Pickup	mm	2200	2200
Feeding	type	HTI-HTR-HTC	HTI-HTR-HTC
Binding	type	Twine-Net-Twine/Net	Twine-Net-Twine/Net
PTO	rpm	540	540
Weight	kg	2540/3130	2600/3160
Power	hp	65	70

Intuitive and practical

Automatic oiling

Soft core and diameters manually adjusted via pin system



Belt tensioning springs

Cam-track pickup
with 4 tine bars

Manual working pressure regulator



EXTREME Series 2



Practicality and high performance all in one machine

EXTREME Series 2 is Maschio Gaspardo's Hybrid round baler, striking a perfect balance between high performance and unbeatable ease of use. The machine has been designed to deliver the greatest combination of bale densities and sizes. Settings are easily managed by the operator without leaving the tractor cab using the ICON monitor, either by means of the 10 programs or a custom control system tailored to the farmer's needs.

COMPLETELY REVAMPED AND UPDATED



New completely revamped and updated ICON control unit



New pivoting wheels with case-hardened bushes as standard



New drop floor for reducing machine downtime in the field due to blockages

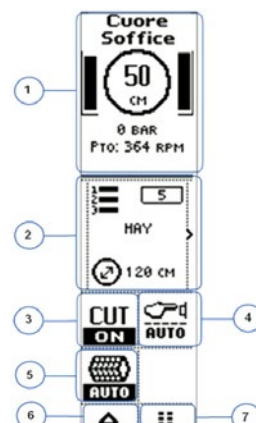


Comes with European Type Approval

ICON control unit for controlling:



- ▶▶ **Bale diameter and pre-chamber formation**
- ▶▶ **Pressure during processing**
- ▶▶ **10 preset programs**
- ▶▶ **Automatic greasing**
- ▶▶ **Cutting system**
- ▶▶ **Drop floor**

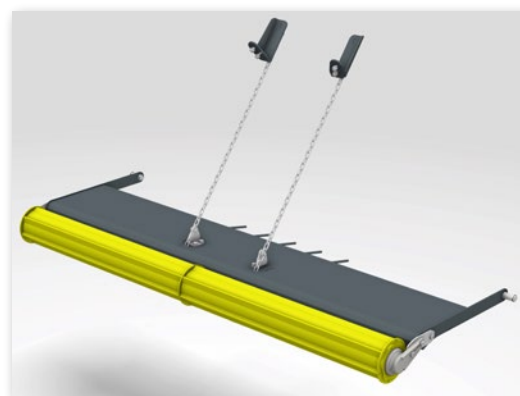


Automatic greasing (optional extra)

With the automatic centralized lubrication system, maintenance times are reduced considerably, boosting work efficiency and reducing breakages, ensuring the machine is always perfectly greased.

Even feeding (optional extra)

The roller baffle compressing the windrow has been completely revamped and updated. Working width has been increased to accommodate even the widest windrows, while the combination of the new profile and the shock-absorbing system makes feeding the machine that much easier.



MODEL		EXTREME 266	EXTREME 286
Bale diameter	mm	500-1650	500-1800
Pickup	mm	2200	2200
Feeding	type	HTI-HTR-HTC-HTR	HTI-HTR-HTC-HTR
Binding	type	Twine-net-Twine/net-Wrap	Twine-net-Twine/net-Wrap
PTO	rpm	540	540
Weight	kg	3000/3830	3050/3880
Power	hp	60/80	65/85

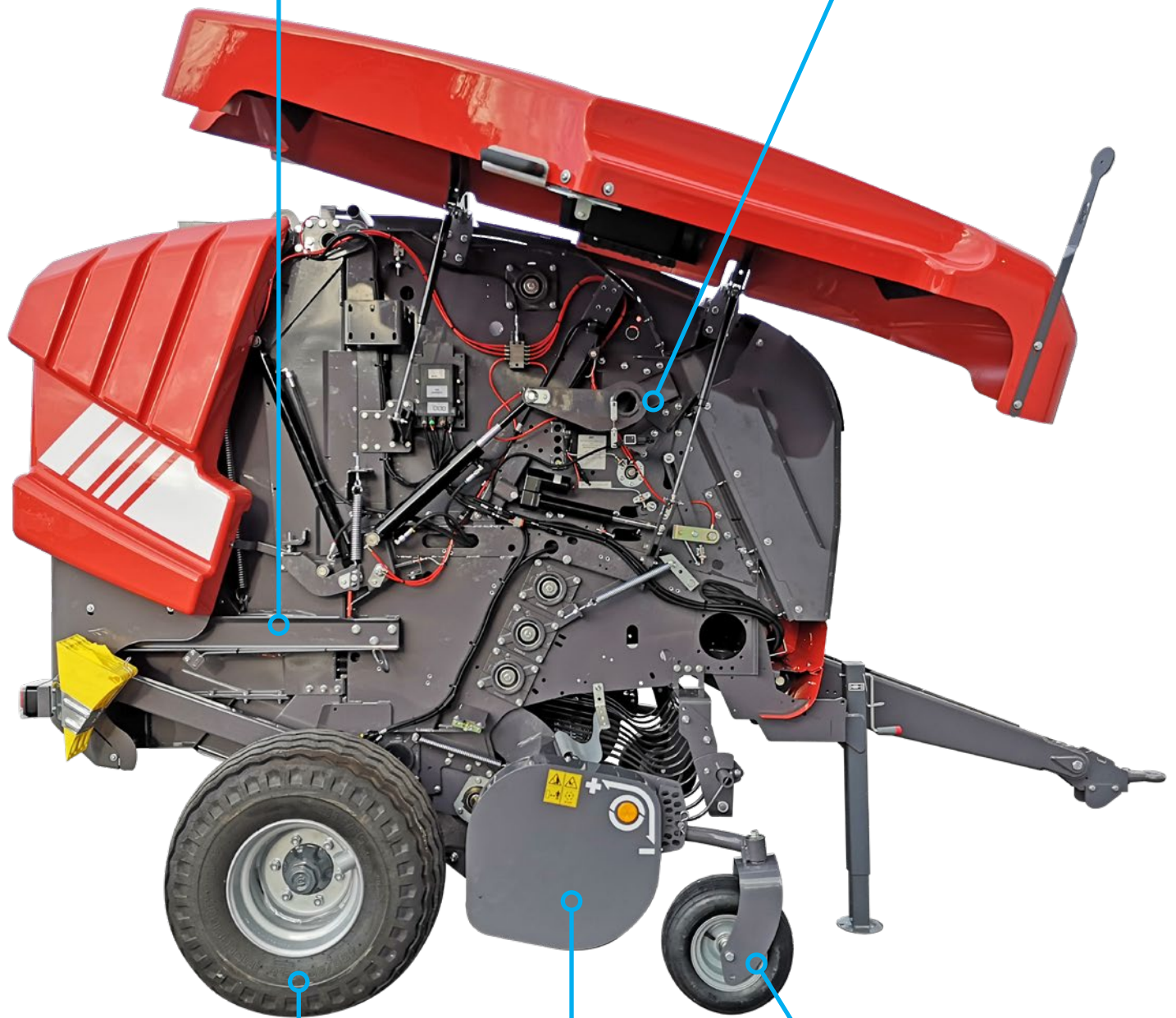
EXTREME Series 2

EXTREME Series 2 has European type approval and can travel on roads both with and without a braking system.

It comes in the following versions:

- without braking system (standard)
- with dual-line oil braking system (optional extra)
- with air braking system (optional extra)

Hydraulic baling up to 210 Bar



Wheel options:

- 400/60 - 15.5 (standard)
- 19/45 - 17 (optional extra)
- 550/45-22.5 (optional extra)

220cm pickup

with 4-tine bar reel and cam track, designed to work effortlessly even with the toughest, heavy crops

Pivoting wheels

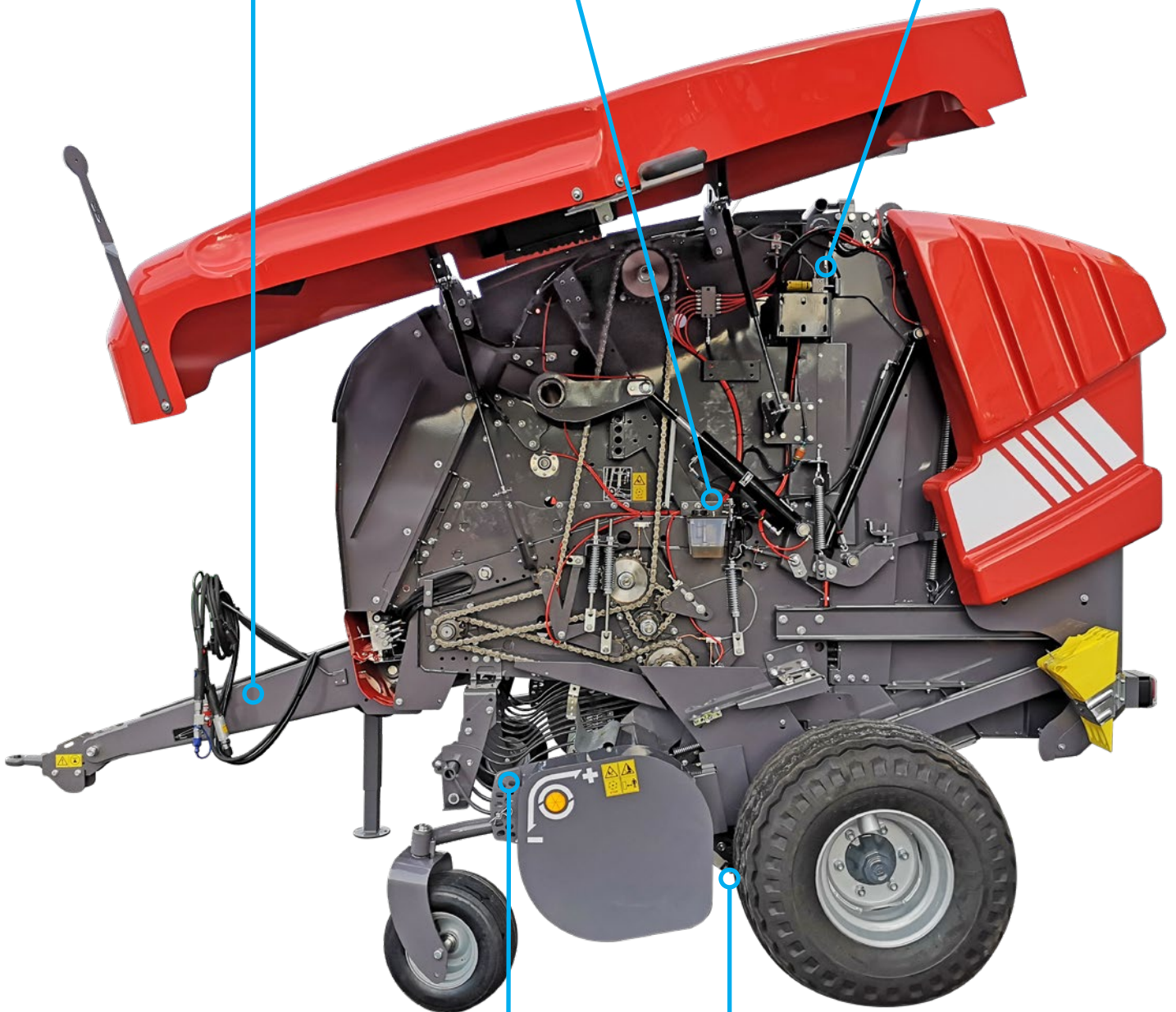
with case-hardened bushes (Standard)

Take a look inside

Drawbar
with dual mechanical
bolt adjustment

Centralized greasing system
progressive manual system standard issue, automatic
version available as an optional extra.

**Automatic oiling
system**



Crop guide roller (optional)
The combination of the crop guide roller with the
new spring down-pressure system (optional extra)
ensures material is conveyed perfectly to the rotor,
for consistently smooth feeding into the chamber

Drop floor
to reduce the danger of
serious blockages

EXTREME Series 3



Top-of-the-line EXTREME baler

High performance and utmost care in crop pick-up.

These are the strengths of the EXTREME 365 that - with its generous 2200mm pickup, wide choice of rotors, "endless" belts and drop floor - delivers high performance every time, in any situation. The dual rocker arm system - for managing the chamber and variable geometry - means material is picked up based on moisture content, for optimal storage.

FEATURES FOR HIGH PERFORMANCE



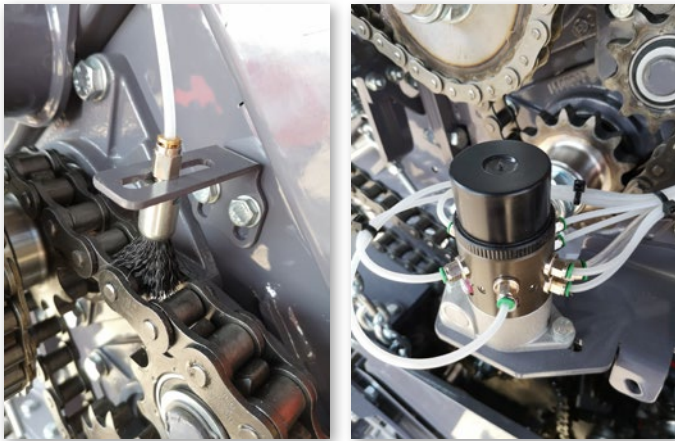
Adjustment for all

The EXTREME 3 series features a new, completely revamped drawbar: a high-strength steel C-channel allows for easy adjustment to suit tractors of all kinds by means of two mechanical jacks.

TOP performance!

High-strength belts

The EXTREME 365 model has been designed for true professionals, hence it has been fitted with 4 endless belts, making it suitable for heavy-duty service under any conditions, even coping with high pressures.

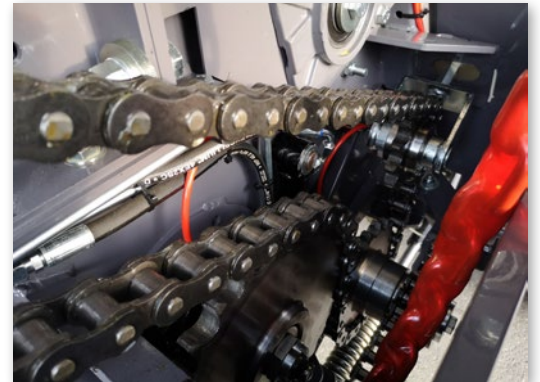


Non-stop lubrication

The automatic oiling system with rotary pump ensures perfect non-stop lubrication while the machine is operating, improving efficiency and power transmission quality.

Strengthened chains

To meet the demands of contractors who subject machines to stress for extended periods of time, Extreme 365 has been fitted with 1 1/4" strengthened chains built to cope with even the most severe stress.



MODEL		EXTREME 365
Bale diameter	mm	500-1650
Pickup	mm	2200
Feeding	type	HTI-HTR-HTC-HTR
Binding	type	Net
PTO	rpm	540
Weight	kg	3330/3720
Power	hp	95/110

**Extreme Series 1
165-185**

	UOM	HTI	HTR	HTC
BALE SIZE				
Diameter	mm	500-1650 / 1800		
Width	mm	1200		
PICKUP				
Pickup width	mm	2200		
Number of tine bars	n°	4		
Pivoting wheels		Standard		
Crop guide plate		Standard	-	-
Crop guide tine		-	Standard	Standard
Crop guide roller		Optional extra		
BALING CHAMBER				
Belts		Stapled		
n° of belts	n°	6		
Bale ejector		Optional extra		
FEEDING				
Cutting length	mm	-	-	77
Knife protection		Spring		
Rotor shut-off		Standard		
Drop floor		-		
BINDING				
Net		Standard		
Twine		Optional extra		
Twine/net		Optional extra		
Plastic film binding		-		
CONTROL				
Mechanical		Standard		
ICON (electronic)		-		
LUBRICATION				
Automatic oiling		Standard		
Automatic oiling rotary pump		-		
Manual greasing		Standard		
Centralized greasing		-		
Progressive manual greasing		-		
Progressive automatic greasing		-		
TYRES				
400/60 - 15.5		Standard		
19.0/45 - 17		Optional extra		
550/45 - 22.5		-		
Weight	kg	2640	2980	3090

Extreme Series 2 266-286				Extreme Series 3 365			
<i>HTI</i>	<i>HTR</i>	<i>HTC</i>	<i>HTU</i>	<i>HTI</i>	<i>HTR</i>	<i>HTC</i>	<i>HTU</i>
<i>500-1650 / 1800</i>				<i>500-1650</i>			
<i>1200</i>				<i>1200</i>			
<i>2200</i>				<i>2200</i>			
<i>4</i>				<i>4</i>			
<i>Standard</i>				<i>Optional extra</i>			
<i>Standard</i>	<i>-</i>	<i>-</i>	<i>-</i>	<i>Standard</i>	<i>-</i>	<i>-</i>	<i>-</i>
<i>-</i>	<i>Standard</i>	<i>Standard</i>	<i>Standard</i>	<i>-</i>			
<i>Optional extra</i>				<i>Standard</i>			
<i>Stapled</i>				<i>Endless</i>			
<i>6</i>				<i>4</i>			
<i>Optional extra</i>				<i>Optional extra</i>			
<i>-</i>	<i>-</i>	<i>77</i>	<i>44</i>	<i>-</i>	<i>-</i>	<i>77</i>	<i>44</i>
<i>Spring</i>				<i>Spring</i>			
<i>Standard</i>				<i>-</i>			
<i>Standard</i>				<i>Standard</i>			
<i>Standard</i>				<i>Standard</i>			
<i>Optional extra</i>				<i>Optional extra</i>			
<i>Optional extra</i>				<i>Optional extra</i>			
<i>Optional extra</i>				<i>-</i>			
<i>-</i>				<i>-</i>			
<i>Standard</i>				<i>Standard</i>			
<i>Standard</i>				<i>-</i>			
<i>-</i>				<i>Standard</i>			
<i>-</i>				<i>-</i>			
<i>-</i>				<i>Standard</i>			
<i>Standard</i>				<i>-</i>			
<i>Optional extra</i>				<i>Optional extra</i>			
<i>Standard</i>				<i>Standard</i>			
<i>Optional extra</i>				<i>Optional extra</i>			
<i>Optional extra</i>				<i>Optional extra</i>			
<i>3000</i>	<i>3630</i>	<i>3700</i>	<i>3840</i>	<i>3330</i>	<i>3340</i>	<i>3620</i>	<i>3720</i>



MASCHIO GASPARDO S.p.A.

Headquarters and production plant
Via Marcello, 73
I-35011 Campodarsego (PADUA) - Italy
Tel. +39 049 9289810 - Fax +39 049 9289900
info@maschio.com - www.maschio.com

Production plant

Via Bredina 6
I-26100 CREMONA (CR) - Italy
Tel. +39 0372 564610 - Fax +39 0372 564625