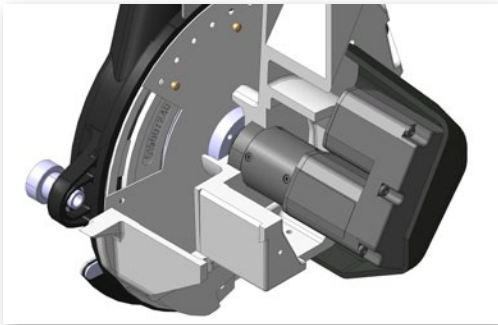


GASPARDO



ISOTRONIC
Electronic seeding element

Technical features

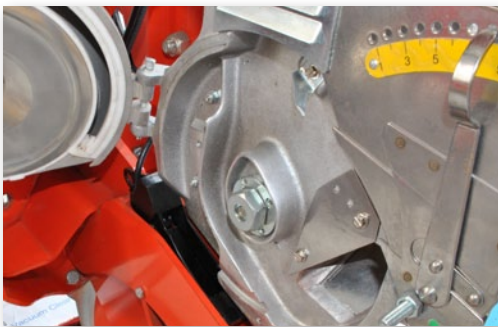


ELECTRIC ENGINE

An electric engine is installed on each unit. It directly drives the seeding plate rotation. Its revolution speed, in proportion to the working speed, sets the seeding distance.

SELECTION DEVICE

A correct selection of the seed is controlled by a double selector system. The first interchangeable selector operates a first selection, according to the crop. A second selector, manually adjustable, allows a second accurate selection of the seed caliber.

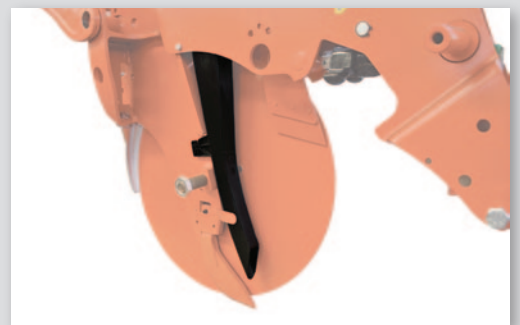


OPTICAL SENSOR

An optical sensor controls the distribution precision, providing to the operator all the seeding quality information.

SEED TUBE

The seed tube design allows seed to fall constantly, without bounces, for a correct disposition.



AIR SPRING

To ensure a constant pression on the element an air spring system is available. It allows to achieve a pressure up to 200 kg for each element.

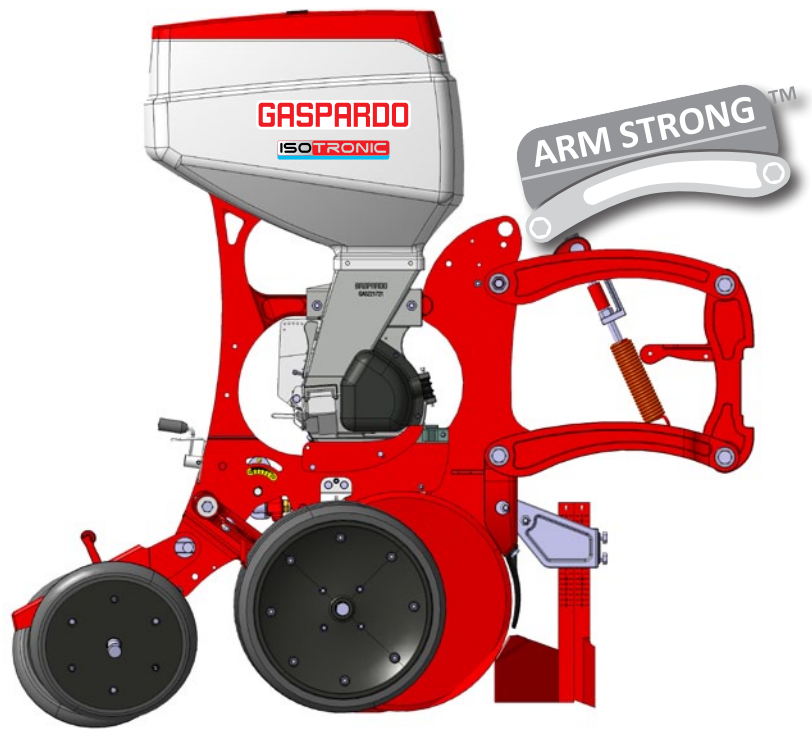


Seeding element

ISOTRONIC

Gaspardo ISOTRONIC is an electric transmission system for precision planters. The main advantages are:

- Low maintenance needed
- Seeding distance managed from the tractor
- Section control as standard
- Higher seeding precision compared to mechanical system
- Real time functions control



Seeding plate

Seeding plates are compatible and interchangeable with conventional Gaspardo vacuum planters ones

Hexagonal head shaft

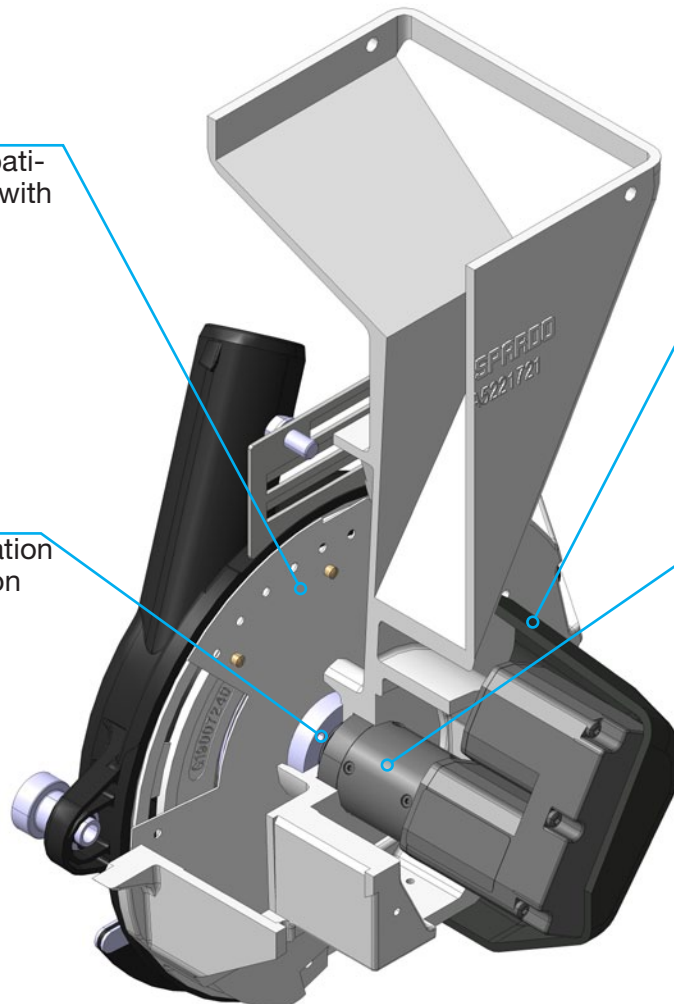
Maximum uniformity rotation in seeding plate revolution

Motor casing

It protects the electric motors from shocks and dust

12 V Electric motor

Waterproof structure, maximum reliability and durability



Agonomical benefits



SEEDING QUALITY

ISOTRONIC system ensures high seeding quality, avoiding the possible inaccuracies of the mechanical system.

The investment result is a uniform and correct spacing for a better development of crops.

SEEDING DISTANCE

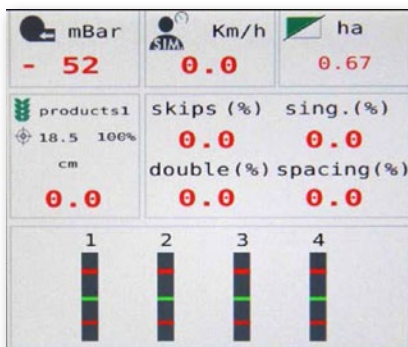
The seeding distance is directly set by the monitor on the tractor. Every need is ensured by the modularity of the electric engine. The seeding rate can be displayed on the monitor: row distance, seed quantity/sqm (ks/ ha) or seed/m.



AUTOMATIC SECTION CONTROL

Row exclusion is already included in the ISOTRONIC system. ISOBUS and GPS system predisposition allows automatic section control avoiding overlapping with seeding saving.

REAL TIME FEEDBACKS

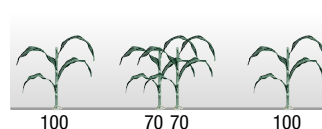


Advanced monitor

Among new functions, from the display it is possible to keep monitoring the main seeding information on real time.



Skips It shows the not provided seeds percentage compared to the total sown seeds until that moment.



Double It shows the percentage of doubly provided seeds compared to the partial number of seeds provided until that moment.



Sing It shows the quality of seeding (%) as a result of: $\% = 100 - (\text{Skips or double})$



Spacing It shows the value in percentage of proximity to ideal seeding (100%).

IMG FARMING PLATFORM

ISOBUS LANGUAGE



Universal connection plug



Easy to connect our machineries



High connectivity with most tractors

PRECISION FARMING



IMG

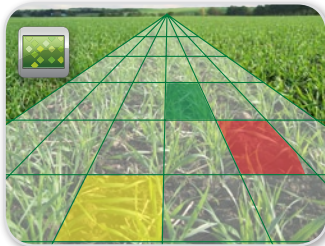


CONTROL FUNCTIONS

- Seeds quantity
- Seeding quality
- Alarm

ADVANCED FUNCTIONS

- Variable rate
- Automatic section control



GEO

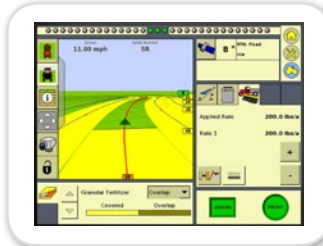


GPS

- Parallel guide assistance
- Assisted guide
- Automatic guide

DATA MANAGEMENT

- Yield maps
- Distribution maps
- Geolocalization data



NON ISOBUS TRACTORS DISPLAY

Tera 7 - Universal Monitor

Read only ISOBUS control functions:



7" colors display

- Alarm seeds units
- Hectares counter (ha)
- Work speed (km/h)
- Medium seeds distance (%)
- Seeding density (Kg/Ha)
- USB connectivity for data analysis

Touch 800 - ISOBUS Terminal

ISOBUS control functions reading and precision farming:



8" colors display

- Functions management by monitor
- Automatic section control
- Variable rate
- With GPS system: automatic guide available

GASPARDO

MACHINES COMPATIBILITY

The system is available for a wide range of 45, 50, 60, 70 or 75 cm, up to 24 rows, vacuum planters, with telescopic and trailed frame.



MTE



MANTA XL



MANTA



RENATA



MIRKA



MAGICA



MAGA



JULIA

MASCHIO GASPARDO S.p.A.

Headquarters and production plant

Via Marcello, 73

I-35011 Campodarsego (PADOVA) - Italy

Tel. +39 049 9289810 - Fax +39 049 9289900

info@maschio.com - maschio.com

MASCHIO GASPARDO S.p.A.

Production plant

Via Mussons, 7

I-33075 Morsano al Tagliamento (PN) - Italy

Tel. +39 0434 695410 - Fax +39 0434 695425