

# **GASPARDO**

# **ELEFANTE GIGANTE DP PRONTA DIRETTA**



## **DISC COULTER DRILL RANGE**

*Save time, fuel and money*

# DISC COULTER DRILL RANGE





## Contents

▪ No till farming: benefits	4
▪ The complete range	6
▪ The seeding unit	8
▪ Seeding depth control	10
▪ General features	12
▪ Seed and fert delivery system	14
▪ ELEFANTE	16
▪ GIGANTE	18
▪ DP PRONTA	20
▪ DIRETTA	21
▪ Technical specifications	22
▪ Choiche of discs units	24

# DISC COULTER DRILL RANGE

## NO TILL FARMING

Seeding without soil tillage offers some great benefits:

- **SAVINGS ON TIME AND FUEL**  
No till allows farmer to reduce time and money expense for crop establishment. Simplified operations in field mean reduced investment on farm implements, lower fuel consumption and better economic return from agronomic inputs!
- **HIGHER FLEXIBILITY**  
This kind of farm management improves flexibility in field operations. Soil not disturbed by tillage is sooner accessible to tractors after rain events: this reduces downtime due to waiting for optimal conditions.
- **HEALTHIER SOIL**  
No till improves soil organic matter content, reduces wind erosion and run-off of fertile soil and re-activates all biological process in first soil layer positive for nutrient and water availability.





# DISC COULTER DRILL RANGE

## NO TILL DRILL FOR ALL NEEDS

Maschio Gaspardo offers a complete range of drills for all purposes and dimensions: from 10 to 40 feet, air or gravity distribution, rigid or folding frame. All best solutions are offered to guarantee perfect crop establishment in a wide range of conditions!

### WHEAT - ALL SMALL GRAIN CEREALS



**GIGANTE**

### PASTURE REGENERATION



**DIRETTA**



**ELEFANTE**



# DISC COULTER DRILL RANGE

## ONE ELEMENT FITS FOR ALL!



### Mud scrapers

Adjustable mud scrapers on depth control wheels and rear closing wheels can be fitted to clean mud and residue from moving parts. The tungsten coating guarantees long life and low wear.



### Seeding unit hub

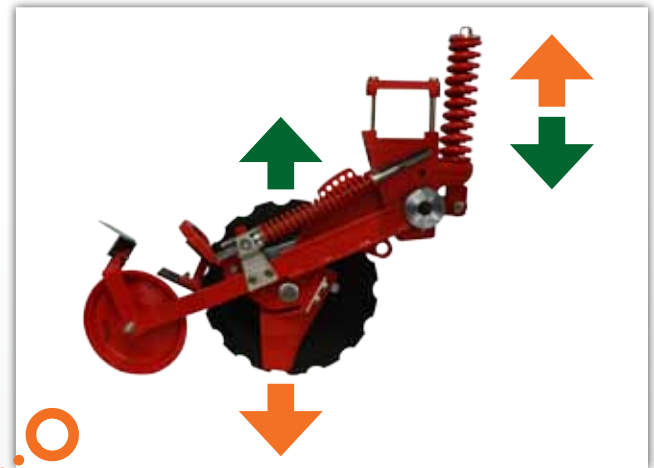
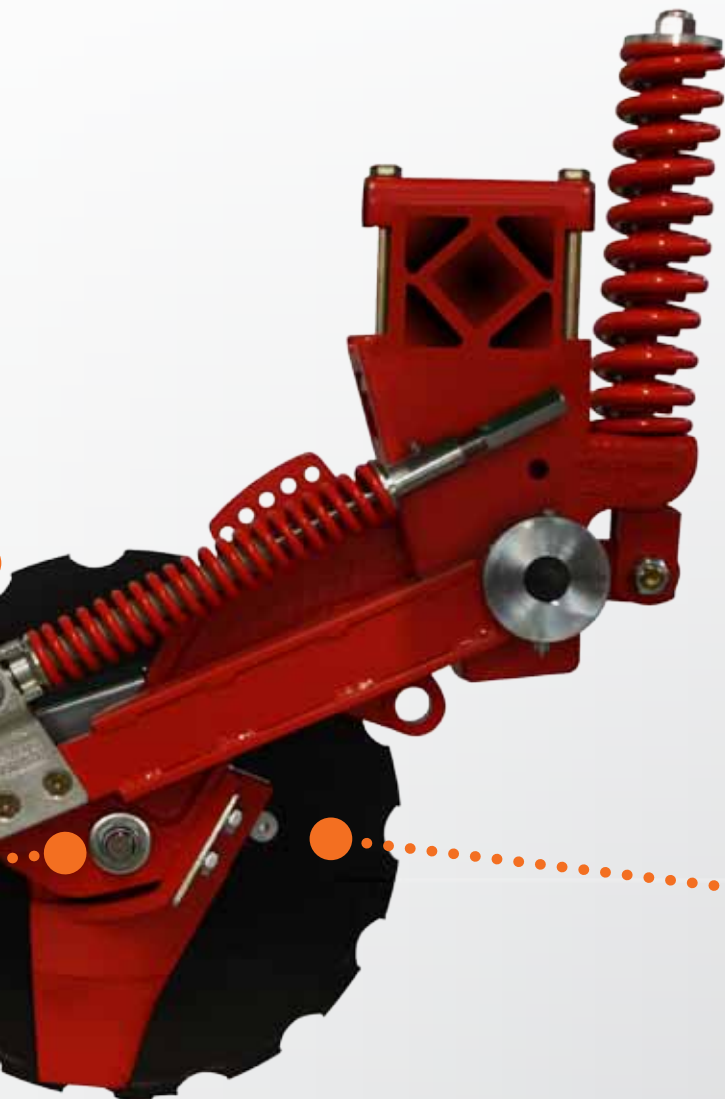
The large disc opener is mounted on a double tapered bearing to guarantee maximum resistance in the most challenging conditions!





## Conical limiter

The metal depth limiter on the opener disc maintains a constant seeding depth; its conical profile does not create a secondary furrow and also reduces the power requirement from the tractor!



## Load of element

The seeding unit has a strong arm in cast iron, a weight of 200 lbs and a maximum load of about 400 lbs; this makes it extremely robust and helps the furrower disc penetrate in even the hardest soils! An adjustable spring is installed to finely control the pressure on the soil, this allows producers to adjust the pressure on individual units, including reducing pressure on units not needed, meaning no early wearing of components!



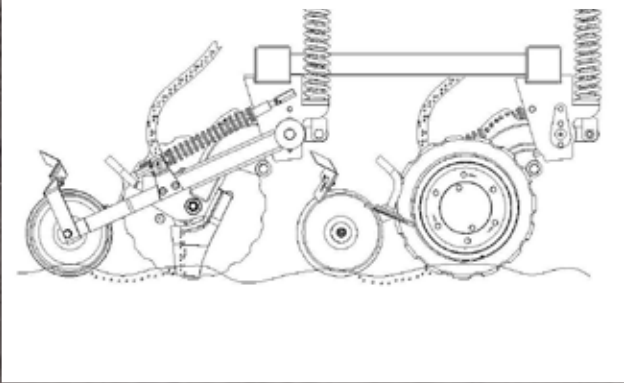
## Wide diameter furrower disc

Large notched disc ( $\varnothing$  19") and side shoe opener work together to cut soil and produce a narrow "V" shaped furrow: precise positioning of seed is achieved! Fine ground produced by slight drift angle of the disc ( $2^\circ$  on vertical,  $2^\circ$  on working direction) improves seed to soil contact.

# DISC COULTER DRILL RANGE

## CONSTANT SEEDING DEPTH

The independently mounted closing wheels follow even the most uneven soil profiles without affecting seed placement or depth. The conical section wheel and spring adjustment ensure an accurate seeding line.





# DISC COULTER DRILL RANGE

## A GREAT HARVEST STARTS FROM A GOOD DRILL !



### Hitch

Machines are connected to the tractor by a strong drawbar with a 2 point compatible quick-hitch. Double hinge of hitch gives great maneuverability in narrow spaces, to make easier turning at the edge of the field and for safe road transportation.



### The right depth for all crops

Seed depth placement is defined by difference in diameter between disc opener and limiter. Choice of the ideal limiter (external diameter, width, material) matches machine to different working conditions. A special rubber wheel can be ordered to shift depth configuration in a very short time, just by changing position to a pin



### From Transport to Work Fast!

Shifts from transport to work configuration quickly, the rear cart is lifted up and the machine is ready to run on the seeding units: no tracks are left by the transport wheels. A cross valve moves the rear seed covering harrow in the opposite direction of the cast, so and damage to the harrow is prevented while maneuvering. The entire system is controlled by a single hydraulic outlet.





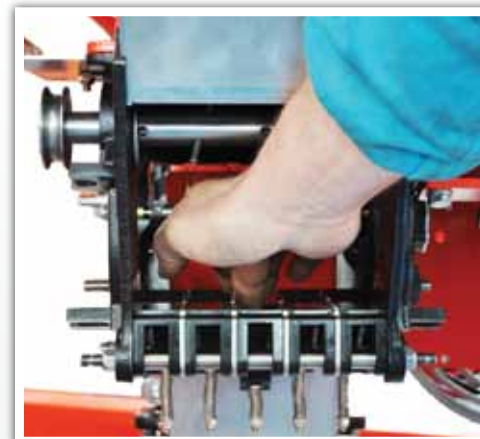
## Electronic seeding control

GENIUS SYSTEM is a user-friendly control unit that allows driver to check and set up easily all functions of drill from tractor cab. Seed or fertilizer testing is extremely easy, and once calibration is performed changing distribution rate is as easy as tapping on the keyboard! This feature is standard on air drills.



# DISC COULTER DRILL RANGE

## AIR DISTRIBUTION BY GASPARDO



### Air distribution

The special metering unit in the air drills (DP PRONTA, GIGANTE, ELEFANTE) adapts to different crop by simply changing the dosing roller. Seed always receives gentle treatment from the spring fingers and roller cleaners, preventing seed breakage and keeping seed vitality at its best.



### The right roller for every product

The Roller is the core of the metering unit, this device can rate seed (5 sectors roller) or fertilizer (2 sections roller). Different colors in seed rollers identify different cell size: small (yellow), medium (green) or large (red). Thanks to the spiral disposition of cells an even seed rating is always guaranteed.



## Seed + fertilizer

Seed and fertilizer are mixed and delivered in the same furrow by the air distribution system. The two products are stored in separate tanks, metered by different units, then mixed together in the air stream.



# ELEFANTE

## ELEFANTE: GREAT MACHINE FOR GREAT FARMS!

**ELEFANTE** is a 40 foot air drill for large acreage farms, wide seeding bar and big seed/fertilizer hopper (370 bu) it

means great autonomy and excellent acre/h output. The seeding bar has a hydro-pneumatic dampener to compensate load on the full width and follow all uneven soil profiles. The rear cart is divided into 3 sections for seed and fertilizer; the positioning of the cart behind the







## **Low pressure tires, respect of soil**

Elefante air cart has large front (500 45-22.5) and rear (710 45-26.5) wheels to reduce distribute weight at the best: no deep track are left on soil and perfect emergence can occur on the full working width.



# GIGANTE

## VERSATILITY ON FIELD! GIGANTE

Gigante air drill offers a full range of working width from 13 to 30 feet, to match requirements of farms of different acreage! Folding frame allows easy and safe transport of machine, surprisingly sturdy structure guarantees resistance and high operating speeds in all conditions. The large hopper, from 68 to 148 bushel, is divided in two sectors for seed (2/3) and fertilizer (1/3) and has to a very extended operating range.

### GIGANTE 400



### GIGANTE 600



## GIGANTE 900



## GIGANTE 600



# DP PRONTA

## DP PRONTA, READY TO DRILL!

All the precision of an air drill in a compact rigid frame of 10 or 13 feet: this is **DP PRONTA**! The machine is suited to match with medium-small sized tractors (150 HP) and offers all the advantages of higher range machines: electronic metering unit, seed + fertilizer delivery and working speed up to 7/8 mph.



## COMPACT, EASY, HANDY ... ... DIRETTA!

**DIRETTA** is the basic machine for no till farmers who need a small but efficient mechanical seed drill: available in 10 or 13 feet, in seed only or seed+fertilizer configuration. User can quickly set up the machine with the handle on side gearbox(es), test the rate and start! The large hopper has a very wide opening and a footboard, to make the filling operation easy.



# DISC COULTER DRILL RANGE

## TECHNICAL SPECIFICATIONS

### ELEFANTE

Model	kW min	HP min	Working width	Transport	Units	Row spacing	Seed hopper	Fertilizer hopper	Weight*
1200	222	300	40 feet	18 feet	66	7"	246 bu	123 bu	25330 lbs

### GIGANTE

Model	kW min	HP min	Working width	Transport	Units	Row spacing	Seed hopper	Fertilizer hopper	Weight*
400	133	180	13 feet	10 feet	22	7"	45 bu	23 bu	9920 lbs
500	133	180	16 feet	10 feet	28	7"	59 bu	31 bu	13000 lbs
600	133	180	20 feet	10 feet	33	7"	59 bu	31 bu	14710 lbs
900	185	250	30 feet	17 feet	50	7"	76-100 bu	52-76 bu	25200 lbs

### DP PRONTA

DP PRONTA	kW min	HP min	Working width	Transport	Units	Row spacing	Seed hopper	Fertilizer hopper	Weight*
300	111	150	10 feet	10 feet	17	7"	45 bu	23 bu	8150 lbs
300	111	150	10 feet	10 feet	19	6"	45 bu	23 bu	8680 lbs
400	111	150	13 feet	13 feet	22	7"	45 bu	23 bu	8880 lbs

### DIRETTA

Model	kW min	HP min	Working width	Transport	Units	Row spacing	Seed hopper	Fertilizer hopper	Weight*
300	96	130	10 feet	10 feet	17	7"	59 bu	-	8600 lbs
300	96	130	10 feet	10 feet	19	6"	59 bu	-	9010 lbs
400	96	130	13 feet	13 feet	22	7"	82 bu	-	9800 lbs
300 corsa	96	130	10 feet	10 feet	17	7"	36 bu	23 bu	8600 lbs
300 corsa	96	130	10 feet	10 feet	19	6"	36 bu	23 bu	9010 lbs
400 corsa	96	130	13 feet	13 feet	22	7"	49 bu	33 bu	9800 lbs

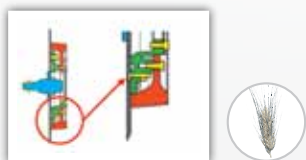
\*Cast iron limiter version



# DISC COULTER DRILL RANGE

## COMBINATIONS FOR THE OPTIMAL DEPTH

The exclusive Gaspardo depth control system guarantees a uniform crop emergence on very uneven terrains as well. **The different diameter between notched disc (19" fix) and depth limiter (13 to 16") allows to get several sowing depth (from 1"1/4 to 2"1/2").** the limiters are also available in different materials: cast iron for high down pressure and metal sheet to limit down pressure.



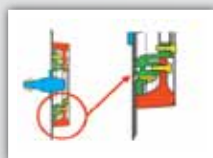
### Standard

**Depth limiter:** Cast iron Ø 14" (360 mm)  
**Limiter width:** 2" <sup>3</sup>/<sub>4</sub> (70 mm)  
**Type of ground:** All. Even rocky and moist  
**Chosen technique:** Direct sowing  
**Sowing depth:** 2" (50 mm)



### Optional

**Depth limiter:** Metal sheet limiter Ø 16" (400 mm) on cast iron Ø 14" (360 mm)  
**Limiter width:** 2" <sup>3</sup>/<sub>4</sub> (70 mm)  
**Type of ground:** All. Even rocky and moist  
**Chosen technique:** Direct sowing  
**Sowing depth:** 1" <sup>1</sup>/<sub>4</sub> (30 mm)



### Optional

**Depth limiter:** Cast iron Ø 13" (330 mm)  
**Limiter width:** 2" <sup>3</sup>/<sub>4</sub> (70 mm)  
**Type of ground:** All. Even rocky and moist  
**Chosen technique:** Direct sowing  
**Sowing depth:** 2" <sup>1</sup>/<sub>2</sub> (65 mm)





### Optional

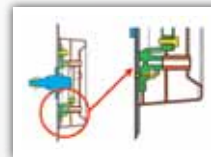
**Depth limiter:** Cast iron  $\varnothing$  13" (330 mm) + metal sheet cover  $\varnothing$  16" (400 mm)

**Limiter width:** 2" <sup>3</sup>/<sub>4</sub> (70 mm)

**Type of ground:** All. Even rocky and moist

**Chosen technique:** Direct sowing

**Sowing depth:** 1" <sup>1</sup>/<sub>4</sub> (30 mm)



### Optional

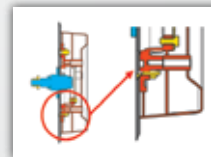
**Depth limiter:** Wide metal sheed cover  $\varnothing$  14" (360 mm)

**Limiter width:** 4" <sup>3</sup>/<sub>8</sub> (110 mm)

**Type of ground:** All. Even moist but not rocky

**Chosen technique:** Direct sowing

**Sowing depth:** 2" (50 mm)



### Optional

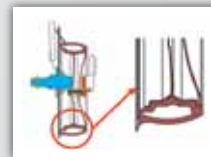
**Depth limiter:** Wide metal sheed cover  $\varnothing$  16" (400 mm)

**Limiter width:** 4" <sup>3</sup>/<sub>8</sub> (110 mm)

**Type of ground:** All. Even moist but not rocky

**Chosen technique:** Minimal tillage

**Sowing depth:** 1" <sup>1</sup>/<sub>4</sub> (30 mm)



### Optional

**Depth limiter:** Adjustable rubber wheel

**Limiter width:** 4" <sup>1</sup>/<sub>2</sub> 115 mm

**Type of ground:** Loose or light soil, not too rocky or moist

**Chosen technique:** Direct sowing or minimal tillage

**Sowing depth:** from <sup>3</sup>/<sub>4</sub>" to 2" <sup>3</sup>/<sub>4</sub> (20-70 mm)



# DISC COULTER DRILL RANGE

## GIGANTE



## DP PRONTA

“I really like the DP PRONTA, because it requires an effortless calibration and it’s very user-friendly. The heavy duty steering drawbar works efficiently for sharp turning. Furthermore the GENIUS system and all the alarm sensors make it easy for the operator to understand where the problem is. The metering unit guarantees high precision in seeding and testing. This season I planted 500 ha, I think I can plan 700 for the next!”



“Charles Leichester, POTATO MECH”  
GROBLES DAR - South Africa



# GASPARDO



## **MASCHIO** **GASPARDO** **the winning team**

### **MASCHIO GASPARDO S.p.A.**

Headquarters  
Via Marcello, 73  
35011 Campodarsego - Padova - Italy  
Tel. +39 049 9289810 - Fax +39 049 9289900

e-mail: [info@maschio.it](mailto:info@maschio.it)  
<http://www.maschionet.com>

### **MASCHIO GASPARDO North America, Inc.**

112 3rd Ave East  
DeWitt, IA 52742 - USA  
Phone: +1 (563) 659-6400  
Fax: +1 (563) 659-6404  
[info@maschio.us](mailto:info@maschio.us)  
[www.maschio.us](http://www.maschio.us)

Production plant  
Via Mussons, 7  
I - 33075 Morsano al Tagliamento (PN) Italy  
Tel. +39 0434 695410 - Fax +39 0434 695425

DEALER:

**COMPANY WITH QUALITY MANAGEMENT  
SYSTEM CERTIFIED BY DNV  
= ISO 9001:2008 =**