



# GASPARDO

## Growing Together

### CHRONO HIGH SPEED PLANTING TECHNOLOGY

#### PRODUCTIVITY INCREASED BY 50%!

CHRONO is the new HIGH-SPEED PLANTING TECHNOLOGY designed from MASCHIO GASPARDO for vacuum precision planters, which is able to guarantee a speed of 15 km/h.



New designed **SEED HOPPER** and **MICROGRANULATOR**

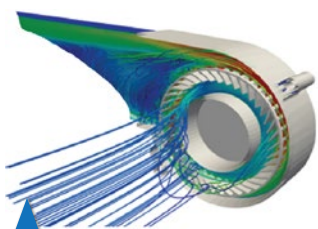
Innovative **SEED METER** with electric drive

**PNEUMATIC SYSTEM** for high-speed transport

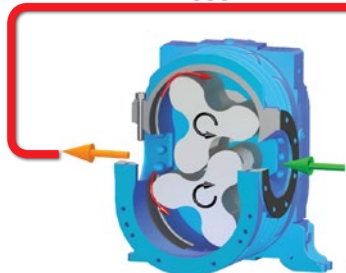
Self-cleaning **SEED PRESS WHEEL**

#### INDIPENDENT PRESSURIZED AIRFLOW

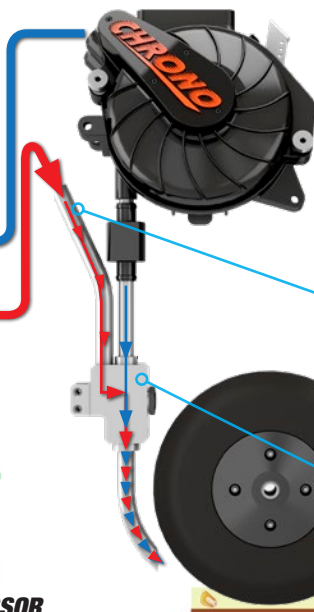
The tube ejector generates the airflow and it is powered by a volumetric lobe compressor, maintaining independent vacuum flow into the metering device and optimizing the planting accuracy on different operating conditions.



**VACUUM  
PRESSURE**



**VOLUMETRIC ROOTS COMPRESSOR**



#### TILTED SEED METER

optimizes seed falling into the straight tube.

#### BRUSHLESS ELECTRIC MOTOR

with digital management.

**AIRFLOW ADJUSTMENT IS INDEPENDENT** from the meter vacuum, thanks to the volumetric lobe compressor.

**STRAIGHT SEED TUBE** for a direct seed transport to the soil furrow.

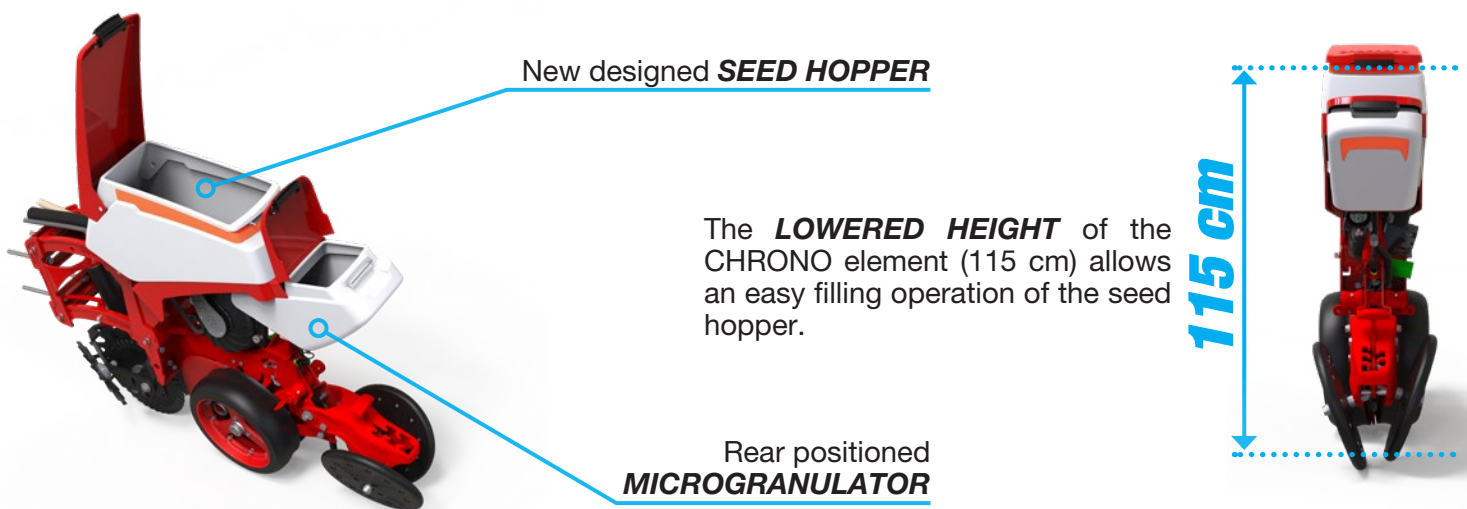
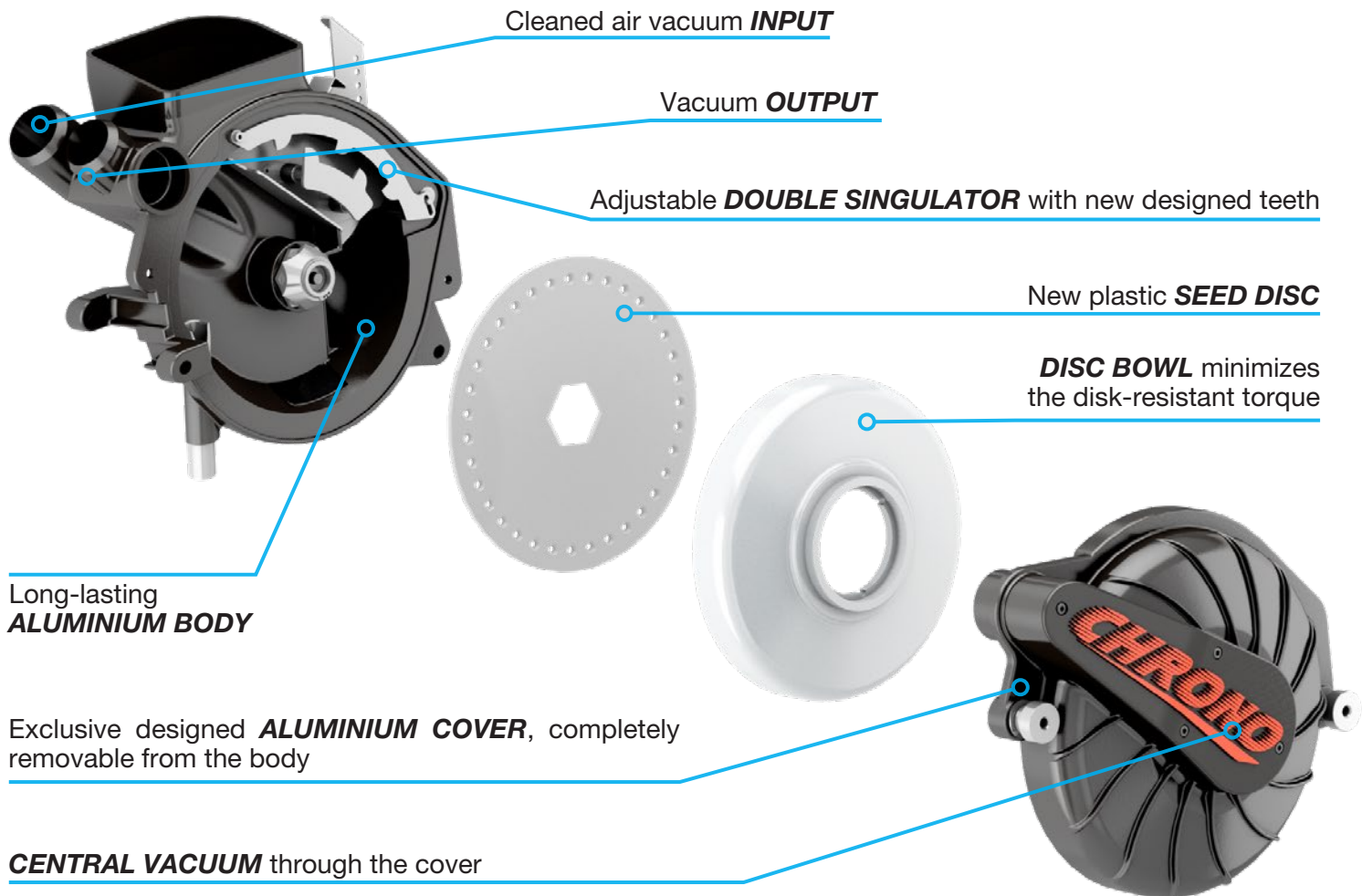
**AIR EJECTOR** generates a downward airflow for high-speed seed transport.

Self-cleaning **SEED PRESS WHEEL** made in soft rubber.



## ALL-NEW METERING DEVICE

CHRONO's seed metering device includes important innovative features, capable to optimize the singulation before seed transport and therefore increasing the reliability of the system.



**MASCHIO GASPARDO S.p.A.**

Headquarters and production plant - Via Marcello, 73 - I-35011 Campodarsego (PADUA) - Italy  
Tel. +39 049 9289810 - Fax +39 049 9289900 - info@maschio.com - www.maschio.com